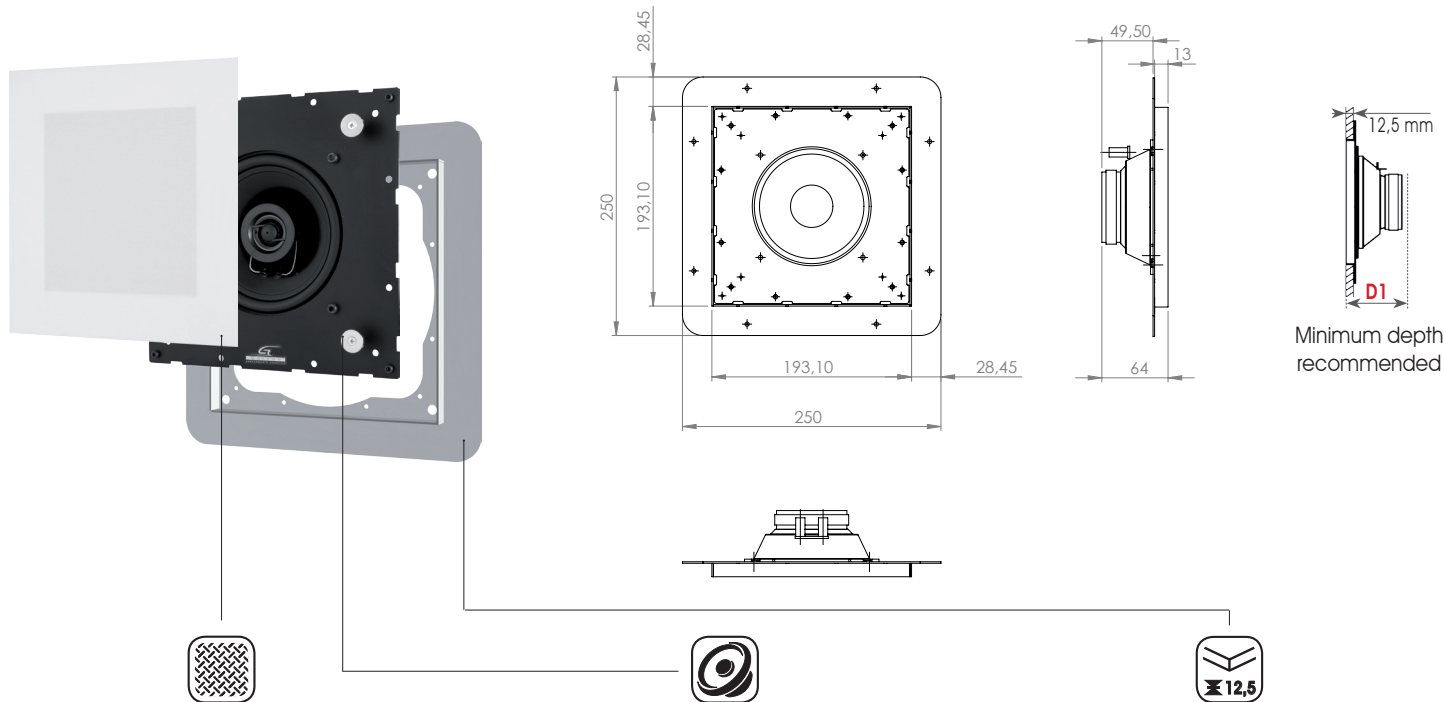


SIC112

SIC12V

IN-WALL FOR FLUSH-MOUNT INSTALLATION



White Front cover

Code: **11AXX1**

Dimensions HxWxD (cm) 19,0 x 19,0 x 0,3

Weight (Kg) 0,19

Finishes White fabric

Loudspeaker

Code (8 Ω): **SIC112**
Code (70V / 100V): **SIC12V**

Type 2 way coax

Components Neodymium Tw, doped paper Wf

Power RMS / Max (8 Ω) 50 / 100

Power RMS (70V / 100V) 50,0 - 37,5 - 25,0

Freq. resp. (Hz) 78 - 20k

Sensitivity dB (2,83V/1m) 91

Nom. impedance (Ω) 8

Woofer Ø (cm) 13,0 / 1,4
Tweeter voice coil Ø (cm)

Dimensions HxWxD (cm) 19,0 x 19,0 x 5,6

Weight (Kg) 0,87 / 1,27

Frame

Code: **CC1919**

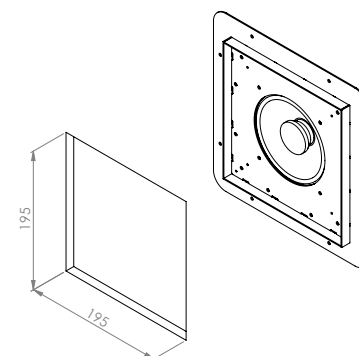
Dimensions HxWxD (cm) 25,0 x 25,0 x 1,5

Installation hole plasterboard HxWxD (cm) 19,5 x 19,5 x 6,8 **D1**

Weight (Kg) 0,54

Materials Steel

Installation hole plasterboard



Fabric



Indoor Speakers



Plasterboard



Specifications

Specifiche
Caractéristiques
Spezifikationen

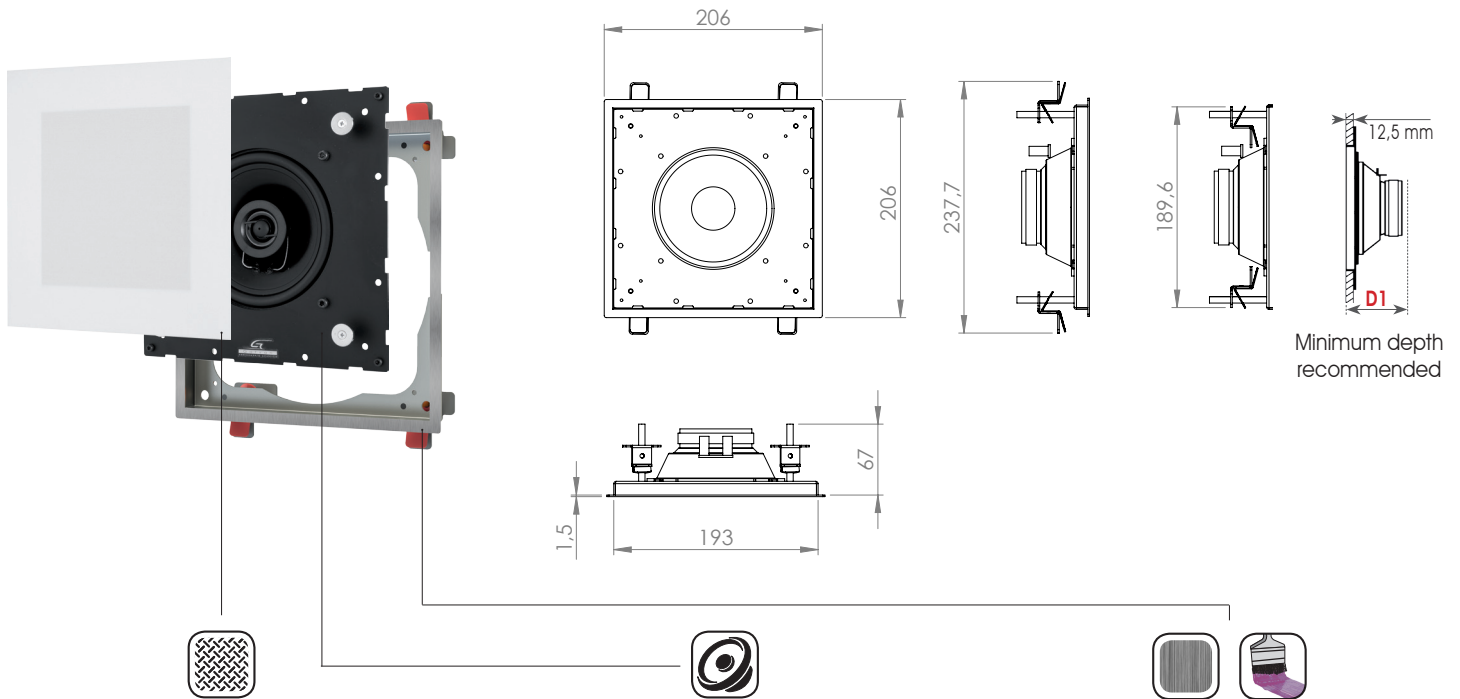
Link: www.garvan.it/gat



SIC112

SIC12V

IN-WALL FOR EASYFIT INSTALLATION



White Front cover

Code: **11AXX1**

Loudspeaker

Code (8 Ω): **SIC112**
Code (70V / 100V): **SIC12V**

Frame

Code: **CF191S**
Code: **CF191E**

Dimensions HxWxD (cm) 19,0 x 19,0 x 0,3

Weight (Kg) 0,19

Finishes White fabric

Type 2 way coax

Components Neodymium Tw, doped paper Wf

Power RMS / Max (8 Ω) 50 / 100

Power RMS (70V / 100V) 50,0 - 37,5 - 25,0

Freq. resp. (Hz) 78 - 20k

Sensitivity dB (2,83V/1m) 91

Nom. impedance (Ω) 8

Woofer Ø (cm) 13,0 / 1,4
Tweeter voice coil Ø (cm)

Dimensions HxWxD (cm) 19,0 x 19,0 x 5,6

Weight (Kg) 0,87 / 1,27

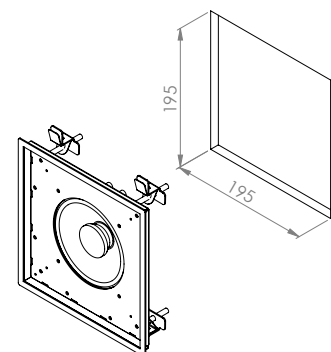
Dimensions HxWxD (cm) 20,6 x 20,6 x 7,5

Installation hole plasterboard HxWxD (cm) 19,5 x 19,5 x 7,5 **D1**

Weight (Kg) 0,38

Materials Steel

INSTALLATION HOLE PLASTERBOARD



Fabric



Indoor Speaker



Primer



Satin stainless steel



Specifications

Specifiche
Caractéristiques
Spezifikationen

Link: www.garvan.it/gat

